

Technical Data Sheet

Product Name: 2835 Purple LED

Part Number: UPC150A08 395

Customer: _____

Customer PN: _____

Version: A.2

Date: 2019.01.01

Customer Approval		

Instituted By:

Checked By:

Approved By:

Technical Data Sheet

Part No. : UPC150A08 395

Version

A.2

Issued date

2019.01.01

Page

1 of 10

Technical Data Sheet

Part No. : UPC150A08 395

Version

A.2

Issued date

2019.01.01

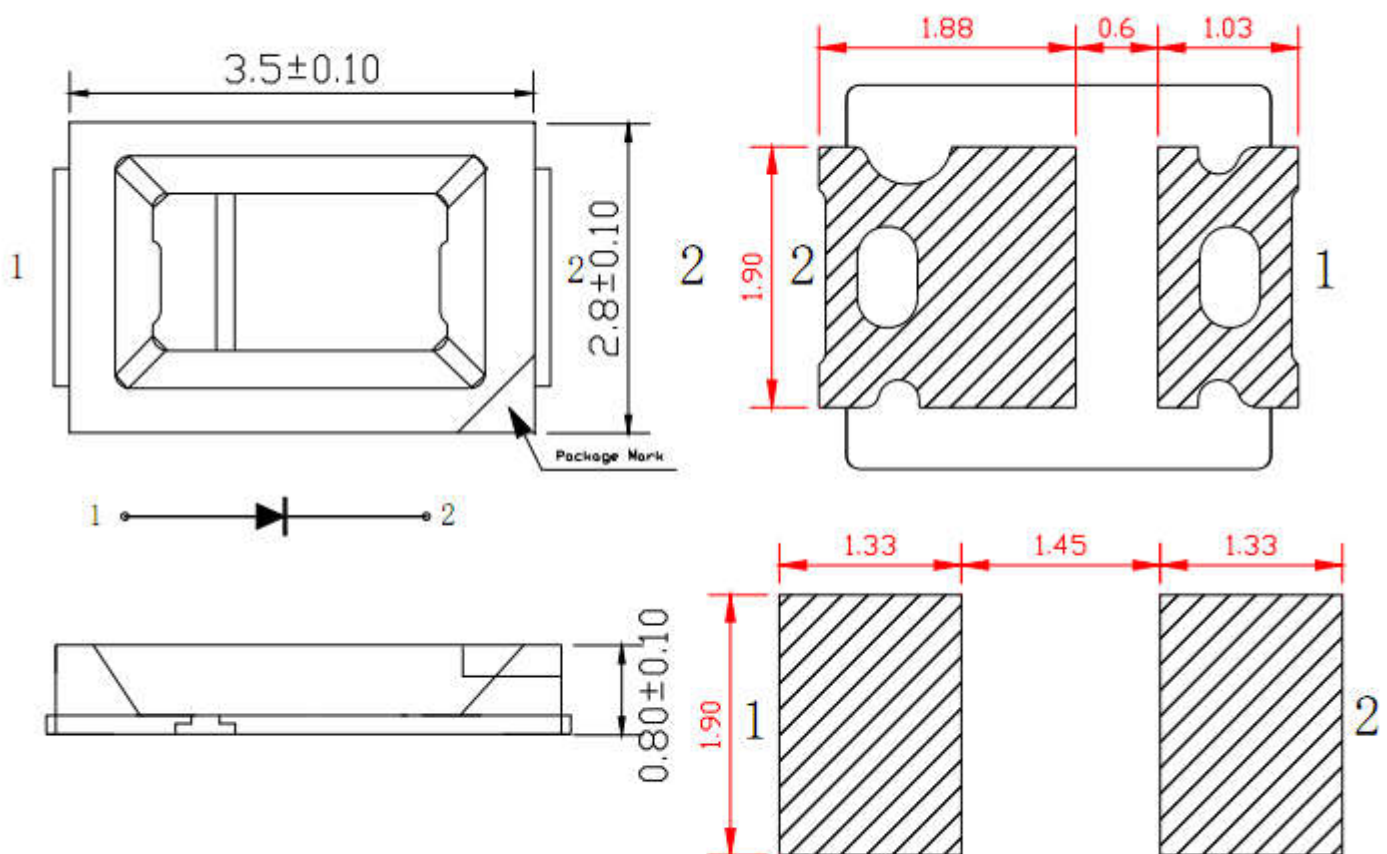
Page

2 of 10

1. Features

- Package (L/W/H) : $2.8 \times 3.5 \times 0.8$ mm
- Color : Ultra Bright Purple
- Lens: Yellow Diffuse Flat Mold
- EIA STD Package
- Meet ROHS, Green Product
- Compatible With SMT Automatic Equipment
- Compatible With Infrared Reflow Solder And Wave Solder Process

2. Package Profile & Soldering PAD Suggested



焊盘图

- Notes:
1. All dimensions are in millimeters ;
 2. Tolerance is ± 0.10 mm unless otherwise noted.

Technical Data Sheet

Part No. : UPC150A08 395

Version

A.2

Issued date

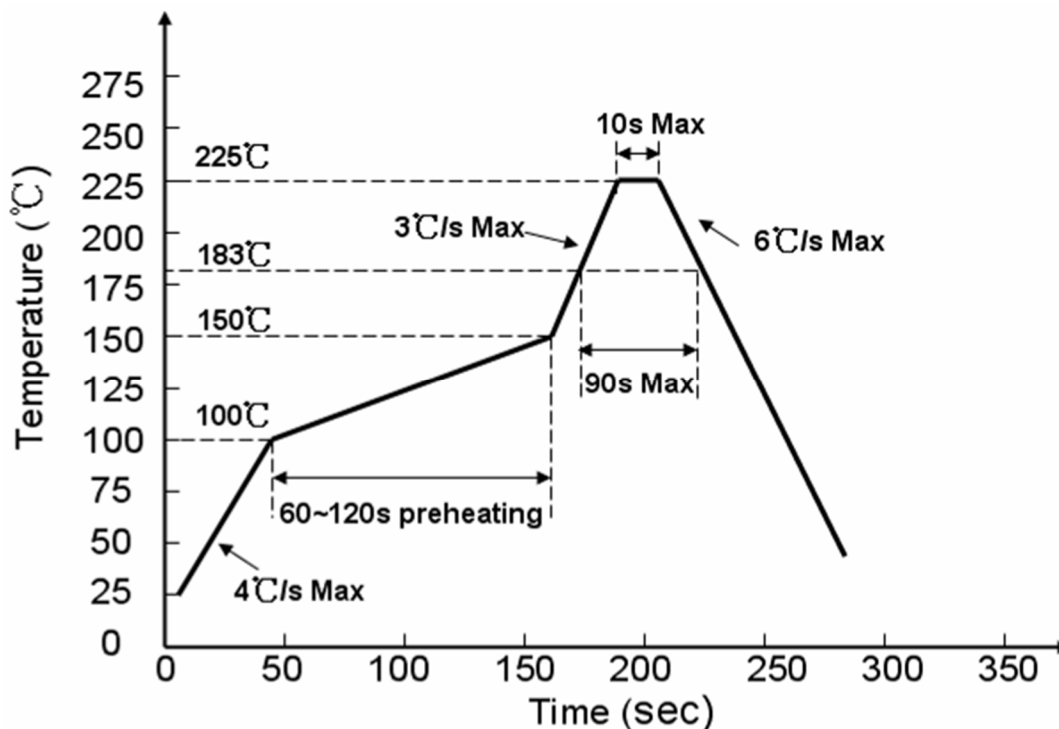
2019.01.01

Page

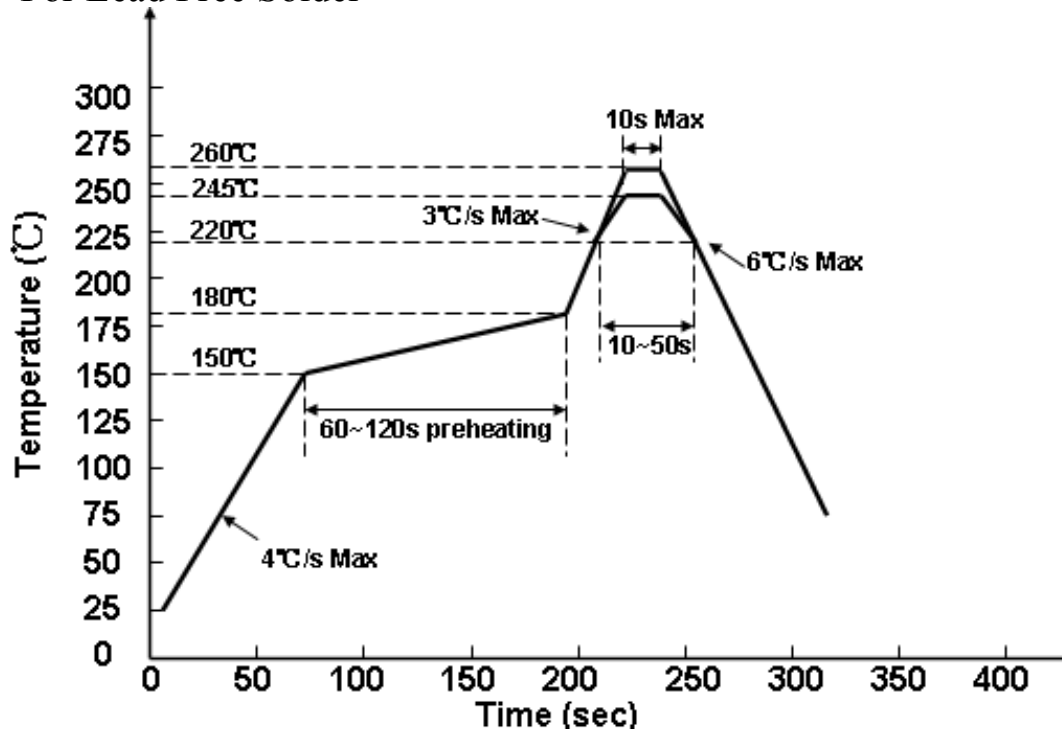
3 of 10

3. Soldering Profile Suggested

3.1、 For Lead Solder



3.2、 For Lead Free Solder



Notes:

We recommend the soldering temperature $245 \pm 5^{\circ}\text{C}$;

The maximum temperature should be limited to 260°C .

Technical Data Sheet

Part No. : UPC150A08 395

Version

A.2

Issued date

2019.01.01

Page

4 of 10

4. Absolute Maximum Ratings At Ta=25°C

Parameter	Symbol	Rating	Unit
Power Dissipation	Pd	90	mW
Peak Forward Current (1/10 Duty Cycle, 0.1ms Pulse Width)	IFP	100	mA
DC Forward Current	IF	30	mA
Reverse Voltage	VR	5	V
Operating Temperature Range	Topr	-30°C ~ +85°C	
Storage Temperature Range	Tstg	-40°C ~ +90°C	
Soldering Condition	Tsol	Reflow soldering : 240°C For 3 Seconds Hand soldering: 300°C For 3 Seconds	

Technical Data Sheet

Part No. : UPC150A08 395

Version

A.2

Issued date

2019.01.01

Page

5 of 10

5. Electrical Optical Characteristics At Ta=25□

Parameter	Symbol	Min.	Typ.	Max.	Unit	Test Condition
Luminous Intensity	IV	100	150	250	Mw	IF =150mA
Viewing Angle	2θ1/2	---	120	---	deg	IF =150mA
CIE 1931 Coordinate	Nm	390	395	400	Nm	IF=150mA
Forward Voltage	VF	3.0	3.2	3.4	V	IF=150mA
Reverse Current	IR	---	---	10	uA	VR=5V

Notes: 1. Luminous intensity is measured with a light sensor and filter combination that approximates the CIE eye-response curve.

2. θ1/2 is the off-axis angle at which the luminous intensity is half the axial luminous intensity.

3. The dominant wavelength, λd is derived from the CIE chromaticity diagram and represents the single wavelength which defines the color of the device.

Technical Data Sheet

Part No. : UPC150A08 395

Version

A.2

Issued date

2019.01.01

Page

6 of 10

6. Typical Electrical-Optical Characteristics Curves

Technical Data Sheet

Part No. : UPC150A08 395

Version

A.2

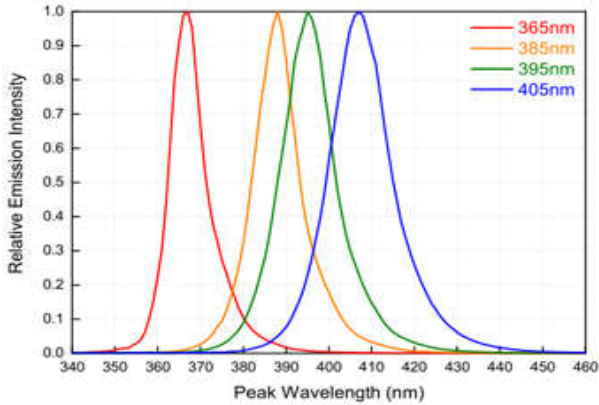
Issued date

2019.01.01

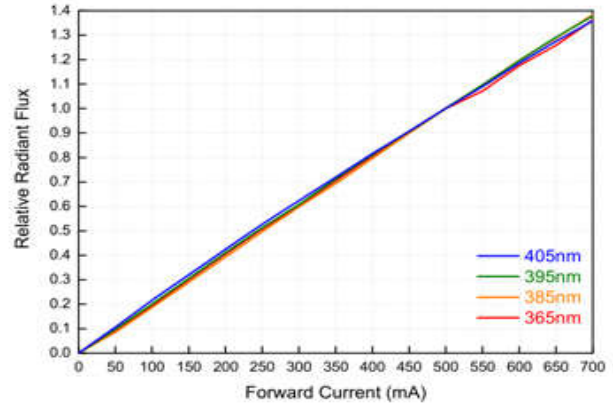
Page

7 of 10

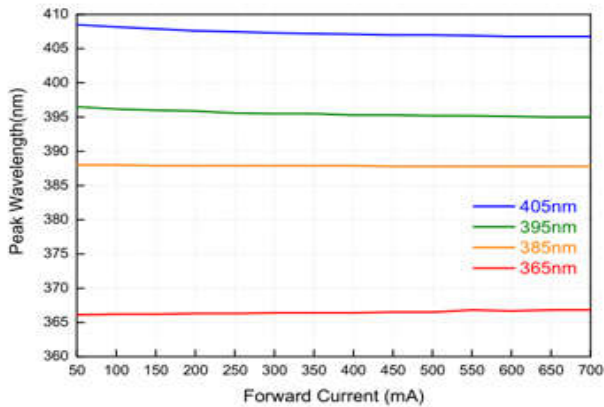
Typical Characteristics Curves
Spectrum @ Thermal Pad Temperature = 25°C



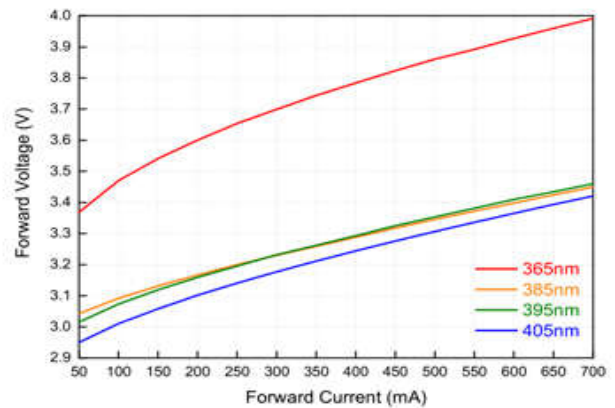
Relative Radiant Flux vs. Forward Current
@ Thermal Pad Temperature = 25°C



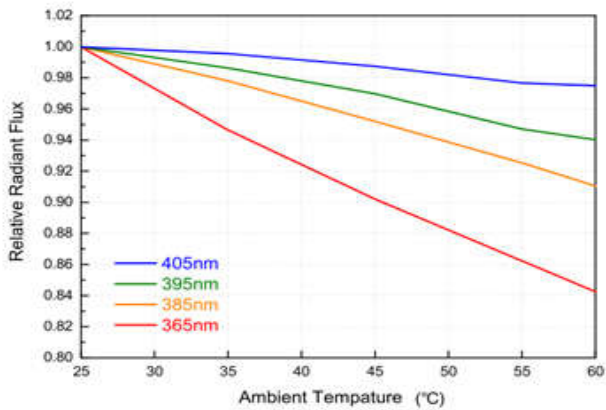
Peak Wavelength vs. Forward Current
@ Thermal Pad Temperature = 25°C



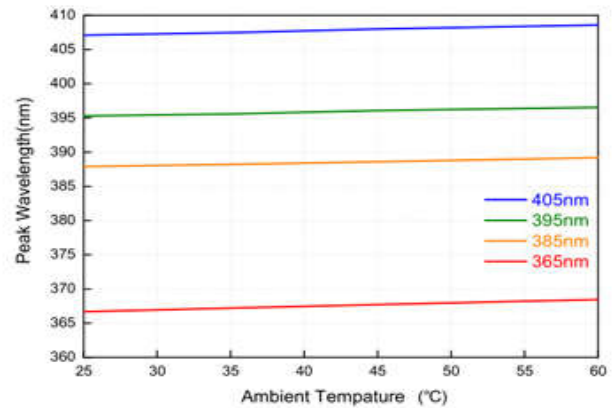
Forward Voltage vs. Forward Current
@ Thermal Pad Temperature = 25°C



Relative Radiant Flux vs. Ambient Temperature
@ Forward Current = 500mA



Peak Wavelength vs. Ambient Temperature
@ Forward Current = 500mA



7. Label Explanation

Technical Data Sheet

Part No. : UPC150A08 395

Version

A.2

Issued date

2019.01.01

Page

8 of 10

CAT: Luminous Intensity Rank (unit : mcd)

HUE: CIE 1931 Coordinate Rank

REF: Forward Voltage Rank (unit : V)

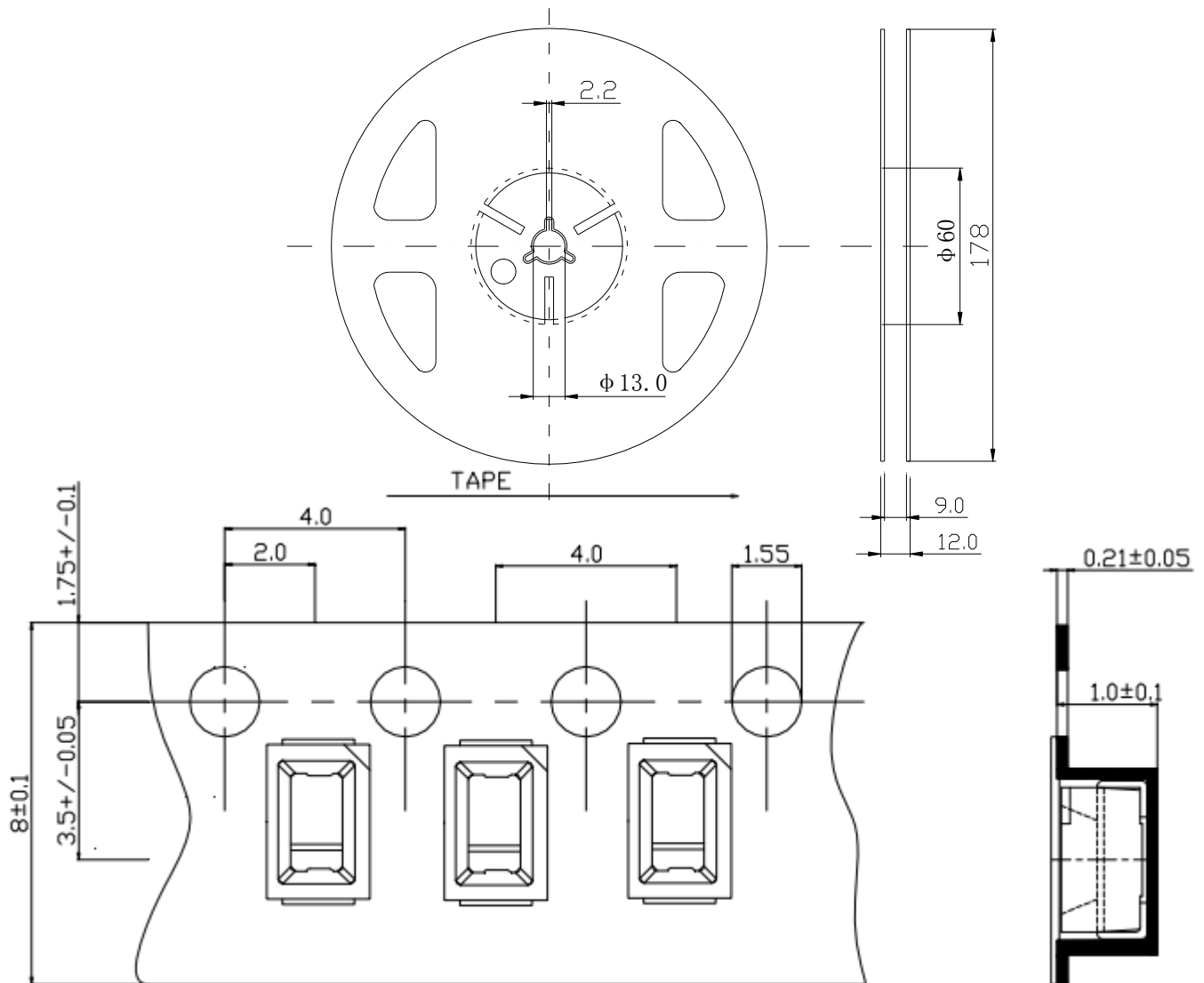
Rank Tolerance:

a. Luminous Intensity: $\pm 15\%$

b. HUE: ± 0.01

c. Forward Voltage: $\pm 0.1V$

8.Reel And Tape Dimensions:



9. Tape Leader & Trailer Dimensions And Reel

Technical Data Sheet

Part No. : UPC150A08 395

Version

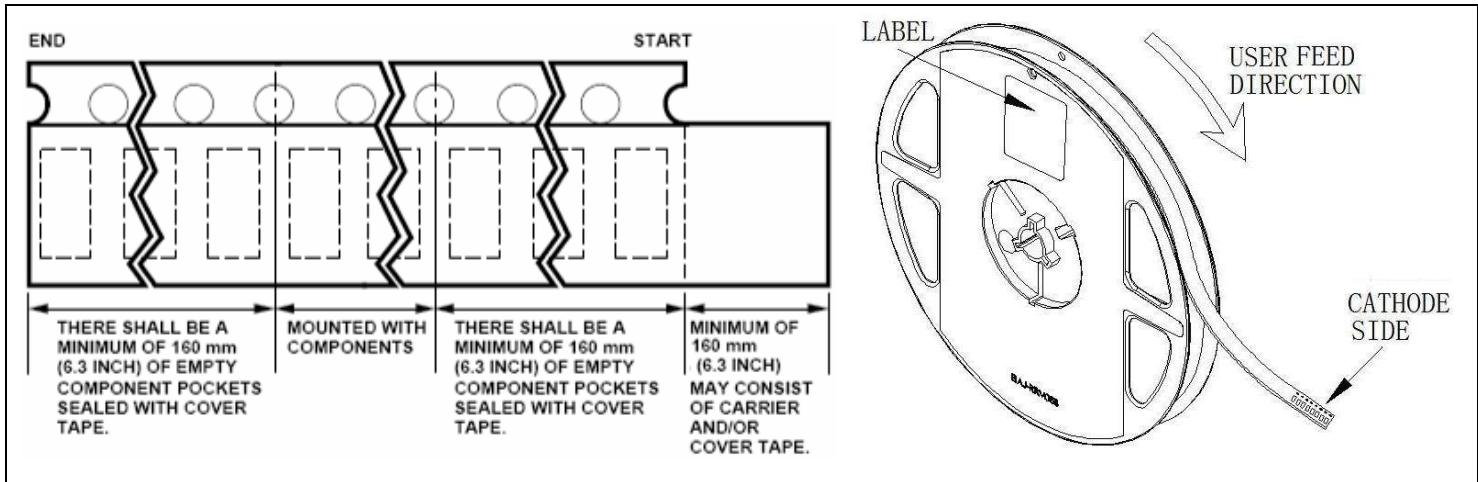
A.2

Issued date

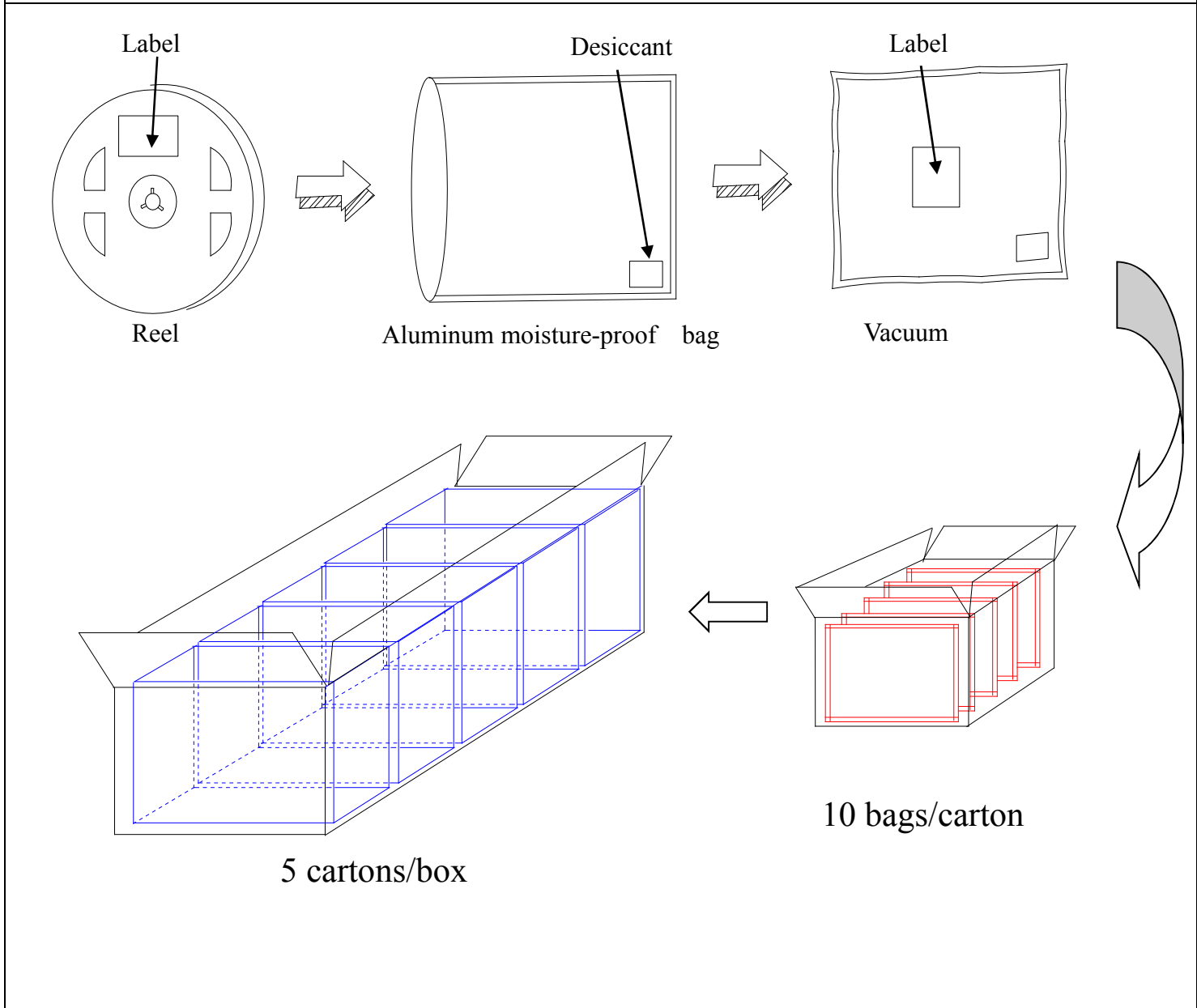
2019.01.01

Page

9 of 10



10. Packaging:



11. Reliability Test

Technical Data Sheet

Part No. : UPC150A08 395

Version	A.2	Issued date	2019.01.01	Page	10 of 10
---------	-----	-------------	------------	------	----------

Classification	Test Item	Test Condition	Reference Standard	Reference Standard
Endurance Test	Operation Life	Ta= Under Room Temperature As Per Data Sheet Maximum Rating	1000HRS (-24HRS,+72HRS)*@20mA	MIL-STD-750D:1026 MIL-STD-883D:1005 JIS C 7021:B-1
	High Temperature, High Humidity Storage	IR-Reflow In-Board, 2 Times Ta= 65±5□,RH= 90~95%	240HRS±2HRS	MIL-STD-202F:103B JIS C 7021:B-11
	High Temperature Storage	Ta= 105±5□	1000HRS (-24HRS,+72HRS)	MIL-STD-883D:1008 JIS C 7021:B-10
	Low Temperature Storage	Ta= -55±5□	1000HRS (-24HRS,+72HRS)	JIS C 7021:B-12
Environmental Test	Temperature Cycling	105□ ~ 25□ ~ -55□ ~ 25□ 30mins 5mins 30mins 5mins	10 Cycles	MIL-STD-202F:107D MIL-STD-750D:1051 MIL-STD-883D:1010 JIS C 7021:A-4
	Thermal Shock	IR-Reflow In-Board, 2 Times 85 ± 5□ ~ -40□ ± 5□ 10mins 10mins	10 Cycles	MIL-STD-202F:107D MIL-STD-750D:1051 MIL-STD-883D:1011
	Solder Resistance	T.sol= 260 ± 5□	10 ± 1secs	MIL-STD-202F:210A MIL-STD-750D:2031 JIS C 7021:A-1
	IR-Reflow Normal Process	Ramp-up rate(183□ to Peak) +3□/ second max Temp. maintain at 125(±25)□ 120 seconds max Temp. maintain above 183□ 60-150 seconds Peak temperature range 235□+5/-0□ Time within 5°C of actual Peak Temperature (tp) 10-30 seconds Ramp-down rate +6□/second max	-----	MIL-STD-750D:2031.2 J-STD-020C
	IR-Reflow Pb Free Process	Ramp-up rate(217□ to Peak) +3□/ second max Temp. maintain at 175(±25)□ 180 seconds max Temp. maintain above 217□ 60-150 seconds Peak temperature range 260□+0/-5□ Time within 5°C of actual Peak Temperature (tp) 20-40 seconds Ramp-down rate +6□/second max	-----	MIL-STD-750D:2031.2 J-STD-020C
Solderability	T.sol= 235 ± 5□ Immersion rate 25±2.5 mm/sec Coverage □95% of the dipped surface	Immersion time 2±0.5 sec	MIL-STD-202F:208D MIL-STD-750D:2026 MIL-STD-883D:2003 IEC 68 Part 2-20 JIS C 7021:A-2	

12. Cautions

Technical Data Sheet

Part No. : UPC150A08 395

Version

A.2

Issued date

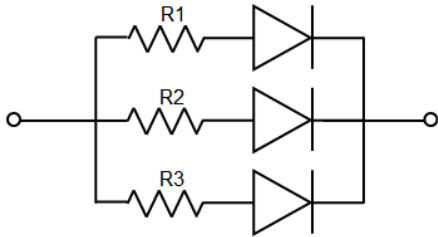
2019.01.01

Page

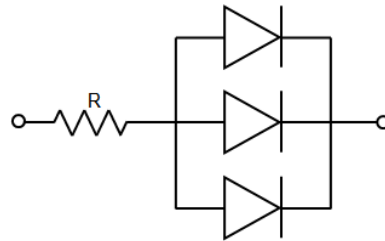
11 of 10

Application

1. A LED is a current-operated device. The slight shift of voltage will cause big change of current, which will damage LEDs. Customer should use resistors in series for the Over-Current-Proof.
2. In order to ensure intensity uniformity on multiple LEDs connected in parallel in an application, it is recommended to use individual resistor separately, as shown in Circuit A below. The brightness of each LED shown in Circuit B might appear difference due to the differences in the I-V characteristics of those LEDs.



Circuit model A



Circuit model B

3. High temperature may reduce LEDs' intensity and other performances, so keeping it away from heat source to get good performance is necessary.

Storage

1. Before opening original package, it is recommended to store them in the following environment:
Temperature: 5~30℃ Humidity: 85%RH max.
2. After opening original package, the storage ambient for the LEDs should be in 5~30℃ temperature and 60% or less relative humidity.
3. In order to avoid moisture absorption, it is recommended that the LEDs that out of the original package should be stored in a sealed container with appropriate desiccant, or in desiccators with nitrogen ambient.
4. The LEDs should be used within 168hrs (7 days) after opening the package. Once been mounted, soldering should be quick.
5. If the moisture absorbent material (silica gel) has faded away or the LEDs stored out of original package for more than 168hrs (7 days), baking treatment should be performed using the conditions:
60℃ at least 24 hours.

ESD (Electrostatic Discharge)-Protection

A LED (especially the Blue、 White and Green product) is an ESD sensitive component, and static electricity or power surge will damage the LED. ESD-damaged LEDs will exhibit abnormal characteristics such as high reverse leakage current, low forward voltage, or “no light-up” at low currents, etc.

Some advice as below should be noticed:

1. A conductive wrist strap or anti-electrostatic glove should be worn when handling these LEDs.
2. All devices, equipment, machinery, work tables and storage racks, etc. must be properly grounded.
3. Use anti-static package or boxes to carry and storage LEDs. And ordinary plastic package or boxes is forbidden to use.

Technical Data Sheet

Part No. : UPC150A08 395

Version

A.2

Issued date

2019.01.01

Page

12 of 10

4. Use ionizer to neutralize the static charge during handling or operating.
5. All surfaces and objects within 1 ft close to LEDs measure less than 100V.

Cleaning

Use alcohol-based cleaning solvents such as IPA (isopropyl alcohol) to clean LEDs if necessary.

Soldering

1. Soldering condition refer to the draft “Soldering Profile Suggested” on page 1.
2. Reflow soldering should not be done more than 2 times.
3. Manual soldering is only suggested on repair and rework. The maximum soldering temperature should not exceed 300°C within 3 sec. And the maximum capacity of soldering iron is 30W in power.
4. During the soldering process, do not touch the lens at high temperature.
5. After soldering, any mechanical force on the lens or any excessive vibration shall not be accepted to apply, also the circuit board shall not be bent as well.

Others

1. The LEDs described here are intended to be used for ordinary electronic equipment (such as office equipment, communication equipment and household applications). Consult Pinkpurple’s Sales in advance for the applications in which exceptional reliability is required, particularly when the failure or malfunction of the LEDs may directly jeopardize life or health. (such as in aviation, transportation, traffic control equipment, medical and life support systems and safety devices).
2. The light output from the high luminous intensity LEDs may cause injury to human eyes when viewed directly.
3. The appearance and specifications of the product may be modified for improvement without prior notice.