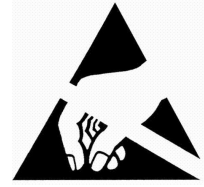


◆ Features:

- ◆ Super high flux output and high luminance
- ◆ Extremely wide viewing angle
- ◆ Suitable for all SMT assembly and solder process
- ◆ Available on tape and reel
- ◆ Package:17000pcs/reel
- ◆ ROHS compliant



ATTENTION
OBSERVE PRECAUTIONS
FOR HANDLING
ELECTROSTATIC
DISCHARGE
SENSITIVE
DEVICES

◆ ABSOLUTE MAXIMUM RATING (Ta=25°C)

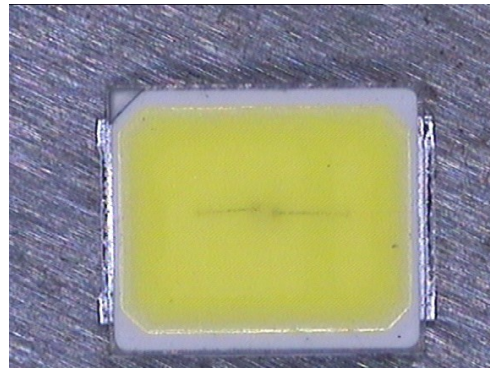
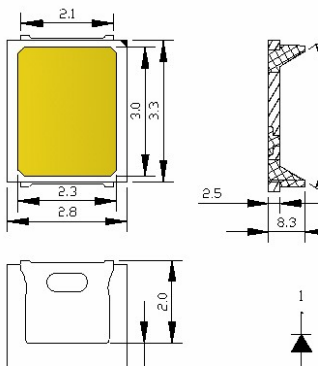
Item	Symbol	Value	Unit
Peak Forward Current	IFp	90	mA
Reverse Voltage	VR	5.0	V
Continuous Forward Current	IF	60	mA
Recommend Operating Current	IF	55	mA
Operating Temperature	Topr	-40 to 85	°C
Storage Temperature	Tstg	-40 to 100	°C
Lead Soldering Temperature	Tsol	260°C For 3 Seconds	

◆ CHARACTERISTICS (Ta=25°C)

Parameter	Condition	Symbol	Min	Typ	Max	Units
Power Dissipation	IF=60mA	Pd	-	200	-	mw
Correlated Color Temperature	IF=60mA	CCT	6000	/	7000	K
Forward Voltage	IF=60mA	VF	2.8	3.1	3.8	v
Reverse Current	VR=5V	IR	/	/	10	μ A
Chromaticity Coordinates	IF=60mA	X	/	0.31	/	
	IF=60mA	Y	/	0.327	/	
Luminous Flux	IF=60mA	Φv	22	/	26	LM
Luminous Intensity	IF=60mA	IV	/	/	/	mcd
Color Rendering Index	IF =60mA	CRI	/	70	/	Ra
Full Viewing Angle	IF=60mA	2 θ 1/2	/	120	/	deg

◆ PACKAGE DIMENSIONS

◆ 实物图



REMARK: 1:1

Date	2012-10-15	Page	1/1	Model No.	SD2835WN	CHECKED	汪友刚
REV No.	A0	Document No.	1902835005	CUSTOMER		APPROVED	袁玉成

NOTE: Testing tolerance: VF±0.1V, IV(Φv) ±10%, 2 θ 1/2 ±10% , CCT (λD) ±15%;