

产 品 规 格 书

---

客户名称: \_\_\_\_\_

客户品号: \_\_\_\_\_

公司品号: XCH2835NWH84R2-2C-PCT (6V@150MA)

送样日期: 2016.12.15

客户审核		审核		
核准人	确认人	核准人	确认人	制作人
				彭晓军
<input type="checkbox"/> 接受 <input type="checkbox"/> 不接受				

# Product Specification

## ◆ Features

- ◆ Outline dimension :2.8mm\*3.5mm\*0.7mm
- ◆ SMD Top View LED (White Color)
- ◆ RoHS compliant lead-free soldering compatible
- ◆ Soldering methods :SMT assembly available
- ◆ RoHS compliant
- ◆ Package:17000pcs/reel

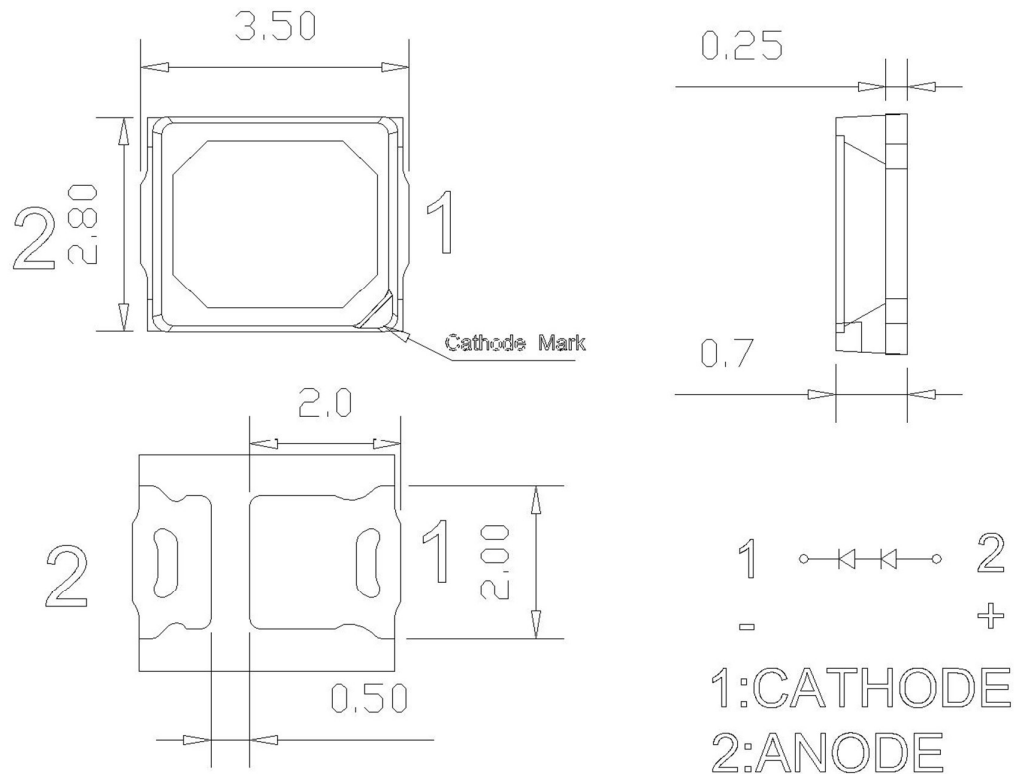


**ATTENTION**  
OBSERVE PRECAUTIONS  
FOR HANDLING  
ELECTROSTATIC  
SENSITIVE DEVICES

## ◆ Application

- ◆ Tubular Light application
- ◆ General use

## ◆ Outline Dimension



Notes:

[1] : All dimensions are in millimeters (inches);

[2]: Tolerances are  $\pm 0.3$ mm (0.012inch) unless otherwise noted.

## Product Specification

### ◆ Absolute maximum ratings @ $I_F=150\text{mA}, T_a=25^\circ\text{C}$

Item	Symbol	Absolute Maximum Rating	unit
Forward Current	$I_F$	150	mA
Pulse Forward Current	$I_{FP}$	200	mA
Reverse Voltage	$V_R$	5	V
Power Dissipation	$P_D$	1000	MW
Operating Temperature	$T_{opr}$	-30~+80	$^\circ\text{C}$
Storage Temperature	$T_{stg}$	-30~+100	$^\circ\text{C}$
Junction Temperature	$T_J$	120	$^\circ\text{C}$
Electrostatic Discharge	ESD	2000(HBM)	V

### ◆ Electrical-Optical characteristics @ $T_a=25^\circ\text{C}$

Item	Symbol	Test Condition	Min	Typ	Max	Unit
Forward voltage [1]	VF	$I_F=150\text{mA}$	6	-	7	V
Luminous Flux	$\phi_v$	$I_F=150\text{mA}$	120	-	130	LM
View Angle	2 $\theta$ 1/2	$I_F=150\text{mA}$	-	120	-	deg
Reverse Current	IR	$V_R=5\text{V}$	-	-	10	$\mu\text{A}$
Color Rendering Index	CCT	$I_F=150\text{mA}$	6000	-	7000	K
Color Rendering Index	CRI	$I_F=150\text{mA}$	-	80	-	Ra
CIE Chromaticity	X Y	$I_F=150\text{mA}$	详见分光标准			

Notes:

- [1] Forward voltage(VF)  $\pm 0.1\text{V}$ ;
- [2] Luminous Flux(  $\phi_v$ )  $\pm 10\%$ ;
- [3] Luminous Intensity(CCT)  $\pm 10\%$ , (X,Y  $\pm 0.01$ );
- [4] Color Rendering Index (CRI)  $\pm 3$ ;
- [5] View Angle (2 $\theta$ 1/2)  $\pm 5$ ;

## Product Specification

---

◆ Luminous Intensity Rank  $\phi_v$  @IF=150mA ,Ta=25°C (Unit:lm)

BIN	Min	Max	BIN	Min	Max
A	100	110	C	120	130
B	110	120	D	130	140

◆ Forward Voltage Rank  $V_F$  @IF=150mA, Ta=25°C (Unit:V)

Bin	Min	Max	Bin	Min	Max
V1	5.7	6.0	V3	6.3	6.6
V2	6.0	6.3	V4	6.6	6.9

## Product Specification

---

◆ Color Rank @IF=150mA, Ta=25°C (Unit:X/Y)

Notes:[1] Color Coordinates Measurement allowance is  $\pm 0.01$ ;

◆ Typical Electro-optical Characteristics Curves @Ta=25°C

---

## ◆Reliability

### ◆TEST ITEMS AND RESULTS

Test Item	Rdf.Standard	Test Conditions	Note	Number of Damaged
High Temperature storage	EIAJED-4701 200 201	Ta=100°C	1000 hrs	0/22
Low Temperatue Storage	EIAJED-4701 200 202	Ta=-40°C	1000 hrs	0/22
Thermal Shock	JEITA ED-4701 200 303	-40°C 30min ↓ ↑ 5sec +100°C 30min	100 cycle	0/22
High Temperature High Humidity	JEITA ED-4701 100 103	85°C,RH=85%	1000 hrs	0/22
Room Temperatue Test	Internal Reference	Ta=25°C IF=150MA	1000 hrs	0/22
High Humidity Heat Test	Internal Reference	+60°C,90%RH IF=150mA	500 hrs	0/22
Low Temperature Test	Internal Reference	Ta=-40°C IF=150MA	500 hrs	0/22

### ◆CRITERIA FOR JUDGING THE DAMAGE

---

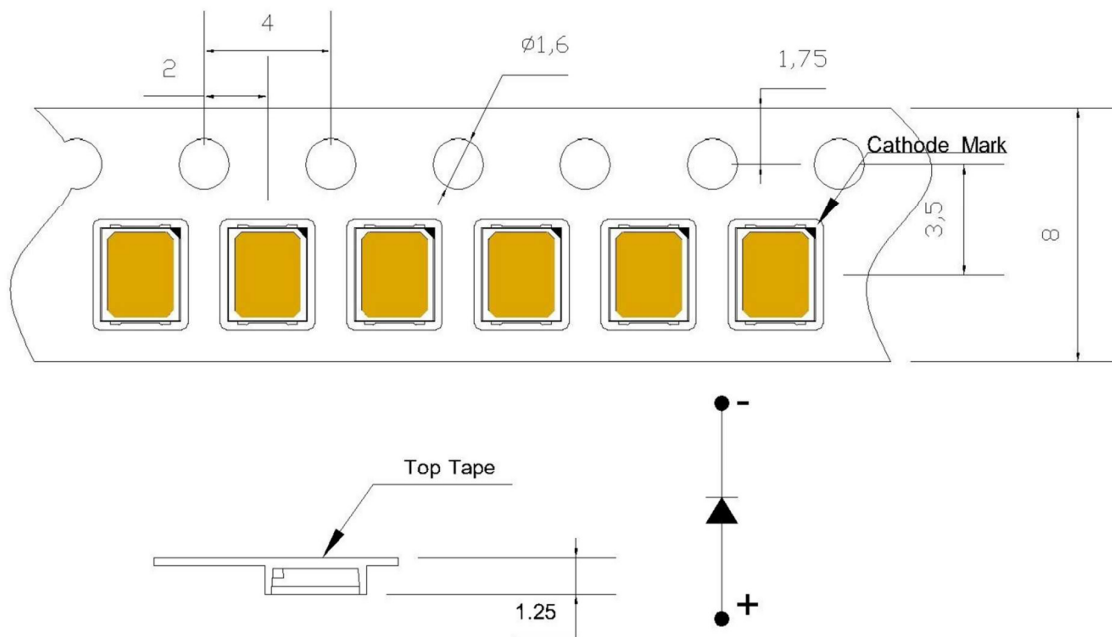
**Note:**

**U.S.L.:Upper Standard Level**

**L.S.L.:Lower Standard Level**

◆ Packaging Specifications

◆ Taping And Orientation



NOTE S:

1. The cathode is oriented towards the tape sprocket hole in accordance with ANSI/ELARS-481



## Product Specification

specifications

2. 15000PCS/Reel.