

产 品 规 格 书

客户名称: _____

客户品号: _____

公司品号: XCH2835NWH84R1-2C-PCT (9V@100MA)

送样日期: 2016.12.15

客户审核		长方审核		
核准人	确认人	核准人	确认人	制作人
				彭晓军
<input type="checkbox"/> 接受	<input type="checkbox"/> 不接受			

◆ Features

- ◆ Outline dimension :2.8mm*3.5mm*0.7mm
- ◆ SMD Top View LED (White Color)
- ◆ RoHS compliant lead-free soldering compatible
- ◆ Soldering methods :SMT assembly available
- ◆ RoHS compliant
- ◆ Package:17000pcs/reel

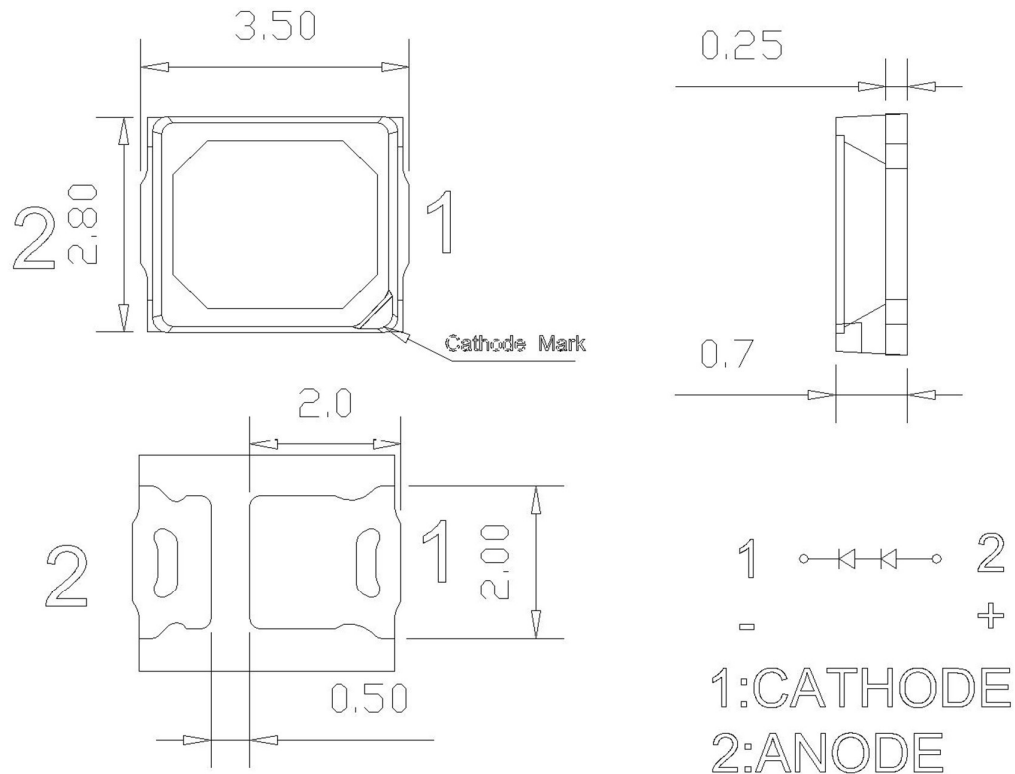


ATTENTION
OBSERVE PRECAUTIONS
FOR HANDLING
ELECTROSTATIC
SENSITIVE DEVICES

◆ Application

- ◆ Tubular Light application
- ◆ General use

◆ Outline Dimension



Notes:

[1]: All dimensions are in millimeters (inches);

[2]: Tolerances are $\pm 0.3\text{mm}$ (0.012inch) unless otherwise noted.

Product Specification

◆ Absolute maximum ratings @ $I_F=150\text{mA}, T_a=25^\circ\text{C}$

Item	Symbol	Absolute Maximum Rating	unit
Forward Current	I_F	100	mA
Pulse Forward Current	I_{FP}	100	mA
Reverse Voltage	V_R	5	V
Power Dissipation	P_D	1000	MW
Operating Temperature	T_{opr}	-30~+80	$^\circ\text{C}$
Storage Temperature	T_{stg}	-30~+100	$^\circ\text{C}$
Junction Temperature	T_J	120	$^\circ\text{C}$
Electrostatic Discharge	ESD	2000(HBM)	V

◆ Electrical-Optical characteristics @ $T_a=25^\circ\text{C}$

Item	Symbol	Test Condition	Min	Typ	Max	Unit
Forward voltage [1]	VF	$I_F=100\text{mA}$	9	-	11	V
Luminous Flux	ϕ_v	$I_F=100\text{mA}$	120	-	140	LM
View Angle	2 θ 1/2	$I_F=100\text{mA}$	-	120	-	deg
Reverse Current	IR	$V_R=5\text{V}$	-	-	10	μA
Color Rendering Index	CCT	$I_F=100\text{mA}$	6000	-	7000	K
Color Rendering Index	CRI	$I_F=100\text{mA}$	70	-	80	Ra
CIE Chromaticity	X	$I_F=100\text{mA}$	详见分光标准			
	Y					

Notes:

- [1] Forward voltage(VF) $\pm 0.1\text{V}$;
- [2] Luminous Flux(ϕ_v) $\pm 10\%$;
- [3] Luminous Intensity(CCT) $\pm 10\%$, (X,Y ± 0.01);
- [4] Color Rendering Index (CRI) ± 3 ;
- [5] View Angle (2 θ 1/2) ± 5 ;

Product Specification

◆ Luminous Intensity Rank ϕ_v @IF=100mA ,Ta=25°C (Unit:lm)

BIN	Min	Max	BIN	Min	Max
A	100	110	C	120	130
B	110	120	D	130	140

◆ Forward Voltage Rank V_F @IF=150mA, Ta=25°C (Unit:V)

Bin	Min	Max	Bin	Min	Max
V1	8.7	9.0	V3	9.3	9.6
V2	9.0	9.3	V4	9.6	9.9

◆ Reliability

◆ TEST ITEMS AND RESULTS

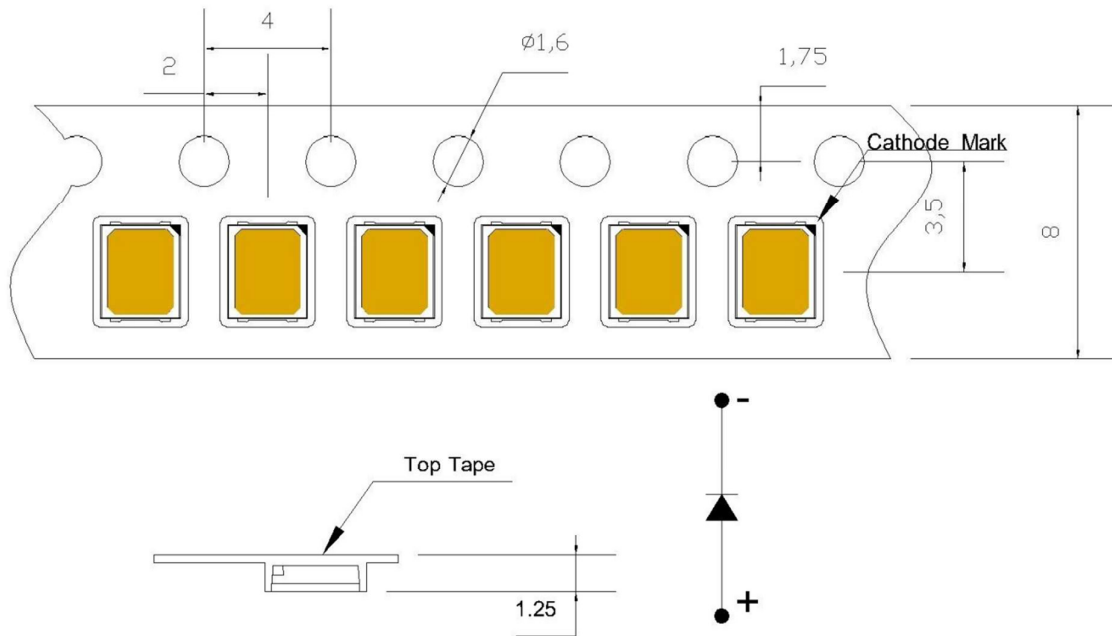
Test Item	Rdf.Standard	Test Conditions	Note	Number of Damaged
High Temperature storage	EIAJED-4701 200 201	Ta=100°C	1000 hrs	0/22
Low Temperatue Storage	EIAJED-4701 200 202	Ta=-40°C	1000 hrs	0/22
Thermal Shock	JEITA ED-4701 200 303	-40°C 30min ↓ ↑ 5sec +100°C 30min	100 cycle	0/22
High Temperature High Humidity	JEITA ED-4701 100 103	85°C,RH=85%	1000 hrs	0/22

Product Specification

Room Temperature Test	Internal Reference	Ta=25°C IF=100mA	1000 hrs	0/22
High Humidity Heat Test	Internal Reference	+60°C,90%RH IF=100mA	500 hrs	0/22
Low Temperature Test	Internal Reference	Ta=-40°C IF=100mA	500 hrs	0/22

◆ Packaging Specifications

◆ Taping And Orientation



NOTE S:

1. The cathode is oriented towards the tape sprocket hole in accordance with ANSI/ELARS-481 specifications
2. 4000PCS/Reel.