

Description

DF6811T is a high current precision Linear LED Driver , integrated with High Voltage regulation switchers and JFET supply, specially designed for AC line LED strings forwarded with high voltage and low current.

In application, it supports a quite small BOM benefit from no ECAP and no Magnetics, compile with EMI and safety standard.

DF6811T can drive precision constant current by option of an external resistor, and set up the LED strings in group linear compile with THD performance. Typical 40mA LED current is optimized for 220V line voltage.

Features

- ◆ High integration, all SMTs in small size.
- ◆ No ECAPs and magnetics
- ◆ Integrated with 500V HV MOS, saved on safety components.
- ◆ Fast startup
- ◆ LED current set by external resistors with $\pm 5\%$ accuracy.
- ◆ On chip thermal regulation.
- ◆ Compensation for line regulation
- ◆ In TO252-3 package.

Application

- ◆ GU10/E27 LED retrofit lamps
- ◆ LED candle
- ◆ Other LED lighting

Typical Application

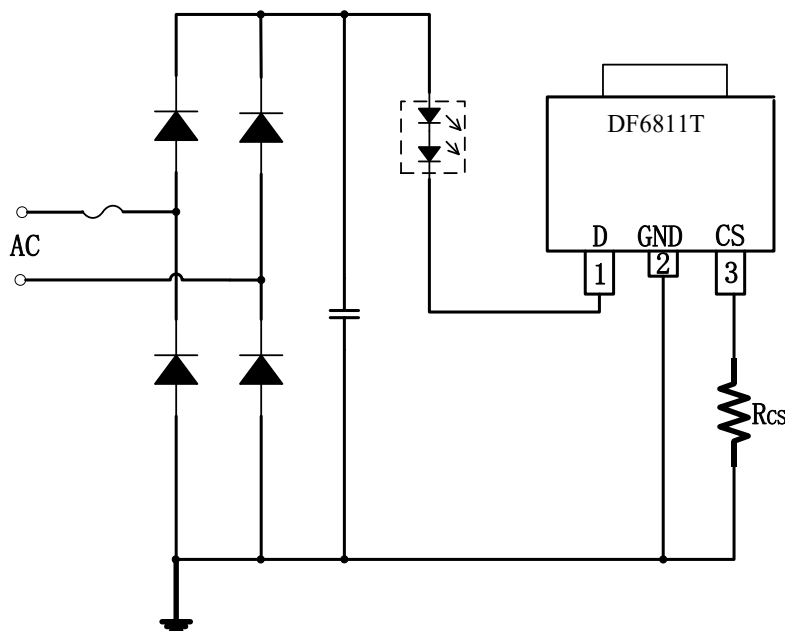
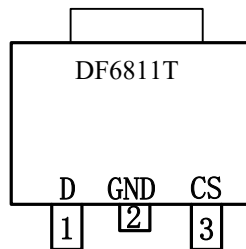


Fig.1 DF6811T Typical Application

Order Information

Part Number	Package	Temperature	Packing Method	Mark
DF6811T	TO252-3	-40 °C to 105 °C	Tape 3,000 pcs/reel	DF6811T XXXXXY WXYC

Pin mapping



XXXXXY: lot code
WX: sign
YY: week

Fig 2 DF6811T Pin Mapping

Pin Descriptions

Pin No.	Pin Name	Descriptions
1	D	Drain for LED string
2	GND	IC ground
3	CS	Current sense, connect the current sense resistor to GND

Absolute Limit (Note1)

Symbol	Parameter	Range	Unit
D	500V HV interface	500	V
CS	Low voltage pins	-0.3~6	V
I _{D,MAX}	Saturation current @ T _{J,max}	80	mA
P _{D,MAX}	Power dissipation (note 2)	1.8	W
θ _{JA}	Thermal Resistor	70	°C/W
T _J	Junction Temperature	-40 to 150	°C
T _{STG}	Storage temperature range	-55 to 150	°C
	ESD (Note 3)	2	KV

Note 1: Stresses beyond those listed under “absolute maximum ratings” may cause permanent damage to the device. Under “recommended operating conditions” the device operation is assured, but some particular parameter may not be achieved. The electrical characteristics table defines the operation range of the device, the electrical characteristics is assured on DC and AC voltage by test program. For the parameters without minimum and maximum value in the EC table, the typical value defines the operation range, the accuracy is not guaranteed by spec.

Note 2: The maximum power dissipation decrease if temperature rise, it is decided by T_{J,MAX}, θ_{JA}, and environment temperature (T_A). The maximum power dissipation is the lower one between P_{D,MAX}= (T_{J,MAX}-T_A)/ θ_{JA} and the number listed in the maximum table.

Note 3: Human Body mode, 100pF capacitor discharge on 1.5KΩ resistor

Recommendation for operation condition

Symbol	Parameters	Range	Unit
I _{LED}	LED output current @220V	<40	mA
I _{LED}	LED output current @110V	<80	mA

Electrical Characteristics (note4, 5) (unless specified, otherwise $T_A=25\text{ }^\circ\text{C}$)

Symbol	description	Test condition	Min.	Typ.	Max.	UNIT
Operation Current						
I_{CC}	Operation current	D=30V		70	100	uA
Current Sense						
V_{REF}	Ref. for string1	D=30V, $R_{CS}=120\Omega$		600		mV
Thermal Regulation						
T_{REG}	Thermal Regulation	RTH pin open		150		$^\circ\text{C}$

Note 4: Production testing of the chip is performed at 25°C.

Note 5: The maximum and minimum parameters specified are guaranteed by test, the typical value are guaranteed by design, characterization and statistical analysis

Block Diagram

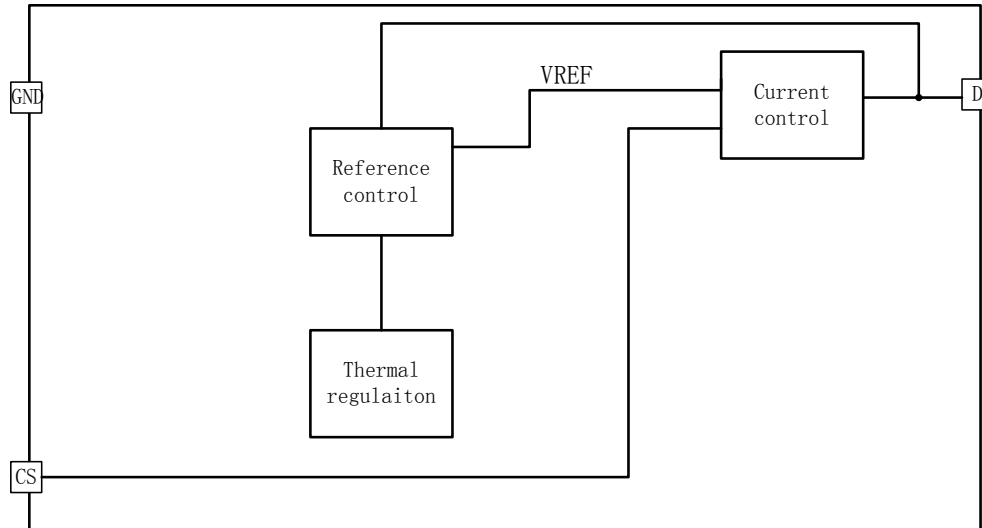


Fig3 DF6811T Block Diagram

Application Information

DF6811T is designed for linear driving LED strings with high forward voltage low LED current in line condition.

1 Supply

After system power on, the chip is supplied by JEFT through D, starting work once voltage on D above 10V.

2 Operation principle

DF6811T auto adjust the LED strings in working according to line voltage and extend the LED working slots in every main cycles with purpose of output lm maintenance and LED availability improvement. For different application, the forward voltage should match the input voltage to obtain higher efficiency, like 110V and 220V respectively.

3 Current configuration

DF6811T supports high precision LED current set by external resistors.

Current for LED string defined as:

$$I_{LED} = \frac{V_{ref}}{R_{cs}}$$

As recommended, in application case of 220V line condition, set the LED less than 40mA depend on thermal capability of heatsinking.

4 Thermal regulation

DF6811T has thermal regulation available on chip to balance the power delivering and temperature increasing. To improve the system reliability, the output current to be regulated lower down refer to the junction temperature.

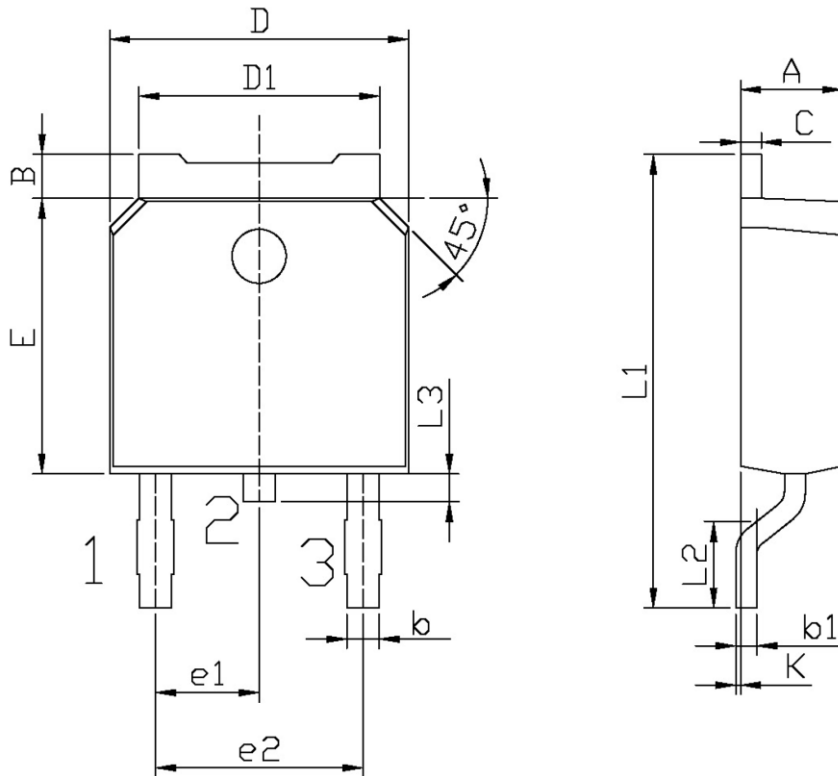
5 PCB Layout design

Suggestion for DF6811T PCB layout:

GND: Use the trace for current sense resistor as short as possible. Extend the copper area for D Pin to improve good thermal condition.

Heat sinking: DF6811T adopted TO252-3 package to strengthen the thermal dissipation, so that extend thermal pad for further.

Package



单位: mm

Symbol	Dimensions In Millimeters		Symbol	Dimensions In Millimeters	
	Min	Max		Min	Max
A	2.20	2.40	E	5.95	6.25
B	0.95	1.25	e1	2.24	2.34
b	0.70	0.90	e2	4.43	4.73
b1	0.45	0.55	L1	9.85	10.35
C	0.45	0.55	L2	1.70	2.00
D	6.45	6.75	L3	0.60	0.90
D1	5.20	5.40	K	0.00	0.10